

A superior valve for pharmaceutical and hygiene critical industries.



Sanitary Valves

- Silicone Rubber Standard Seat
- Additional Seats Available
- Manual Lever, Double Acting Pneumatic or Spring Return Actuation
- Polished 316L SS Disc and Stem for Ease of Cleaning
- 316L SS Housing Available Polished or Satin Finishes
- 4-16 Inch



All replaceable valve seats are laser etched with serial numbers for **TOTAL TRACEABILITY**. Custom serialization on valves & component parts available upon request.



Standard Assemblies

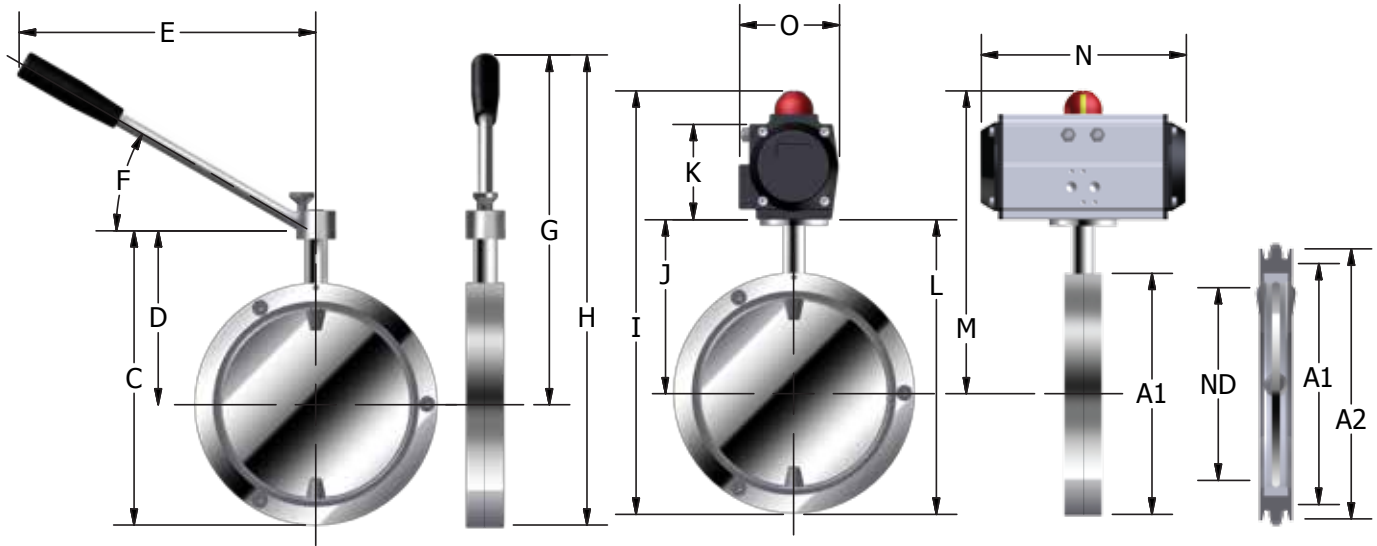
BTI Sanitary Valve parts are totally interchangeable with industry standard valves.

	<p>A1 ND B</p>	<p>Model: Wafer (WW) Sizes Available: 4" thru 16"</p>		<p>B A2</p>	<p>Model: Wafer, Quick Clean - Quick Release (WCRC) Sizes Available: 4" thru 16"</p>
	<p>B A2</p>	<p>Model: Wafer - Quick Release (WR) Sizes Available: 4" thru 16"</p>		<p>B A2</p>	<p>Model: Quick Release - Quick Clean (RCRC) Sizes Available: 4" thru 16"</p>
	<p>B A2</p>	<p>Model: Quick Release - Quick Release (RR) Sizes Available: 4" thru 16"</p>		<p>B A2</p>	<p>Model: Quick Release - Quick Clean W/Flange Adaptor (RCRC-FA) Sizes Available: 4" thru 16"</p>
	<p>B A2</p>	<p>Model: Wafer - Quick Clean (WCWC) Sizes Available: 4" thru 16"</p>	<p>ND=NOMINAL DIAMETER</p>		



A superior valve for pharmaceutical and hygiene critical industries.

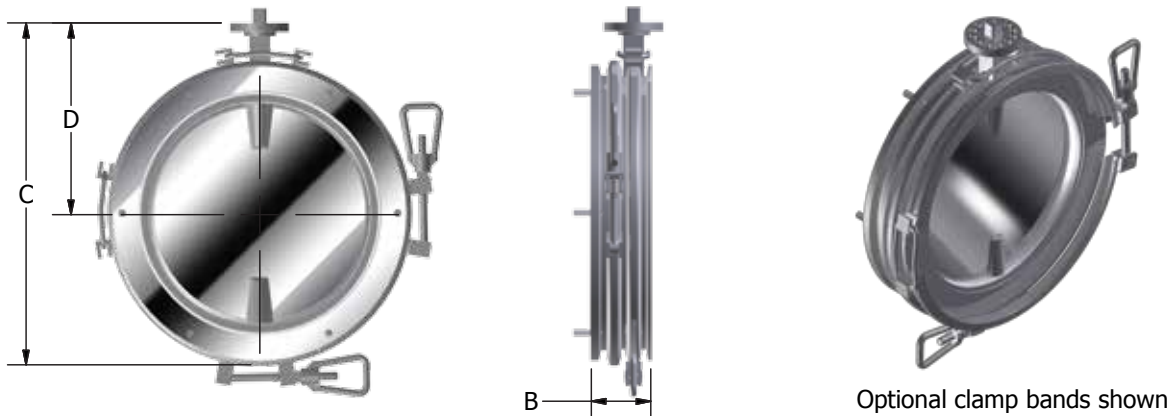
Technical Data



Nominal Diameter	A1	A2	B	C	D	E	F	G	H	I	J	K	L	M	N	O
4" (100mm)	150	180	38	205	130	280	30°	300	375	337	130	100	205	262	162	85
6" (150mm)	200	230	38	255	155	280	30°	350	425	387	155	100	255	287	162	85
8" (200mm)	250	280	38	305	205	280	30°	400	475	437	180	100	305	312	162	85
10" (250mm)	306	330	40	-	-	-	-	-	-	523	213	125	366	370	210	110
12" (300mm)	370	400	40	-	-	-	-	-	-	584	242	125	427	399	210	110
14" (350mm)	420	450	40	-	-	-	-	-	-	633	267	125	477	427	210	110
16" (400mm)	470	500	40	-	-	-	-	-	-	725	292	155	527	527	290	140

ALL DATA SUBJECT TO CHANGE WITHOUT NOTICE

Bin Conversion



*FA version sanitary valve custom configurations including flange thickness, bolt circle pattern, and centerline specifications are also available. Please consult factory for more information. Standard dimensions example shown below.

Nominal Diameter	A1	A2	B	C	D	E	F	G	H	I	J	K	L	M	N	O
10" (250mm)	306	330	*68	*383	*218	-	-	-	-	*523	*213	125	*366	*370	210	110

*Designates dimensions that can be changed per request.