

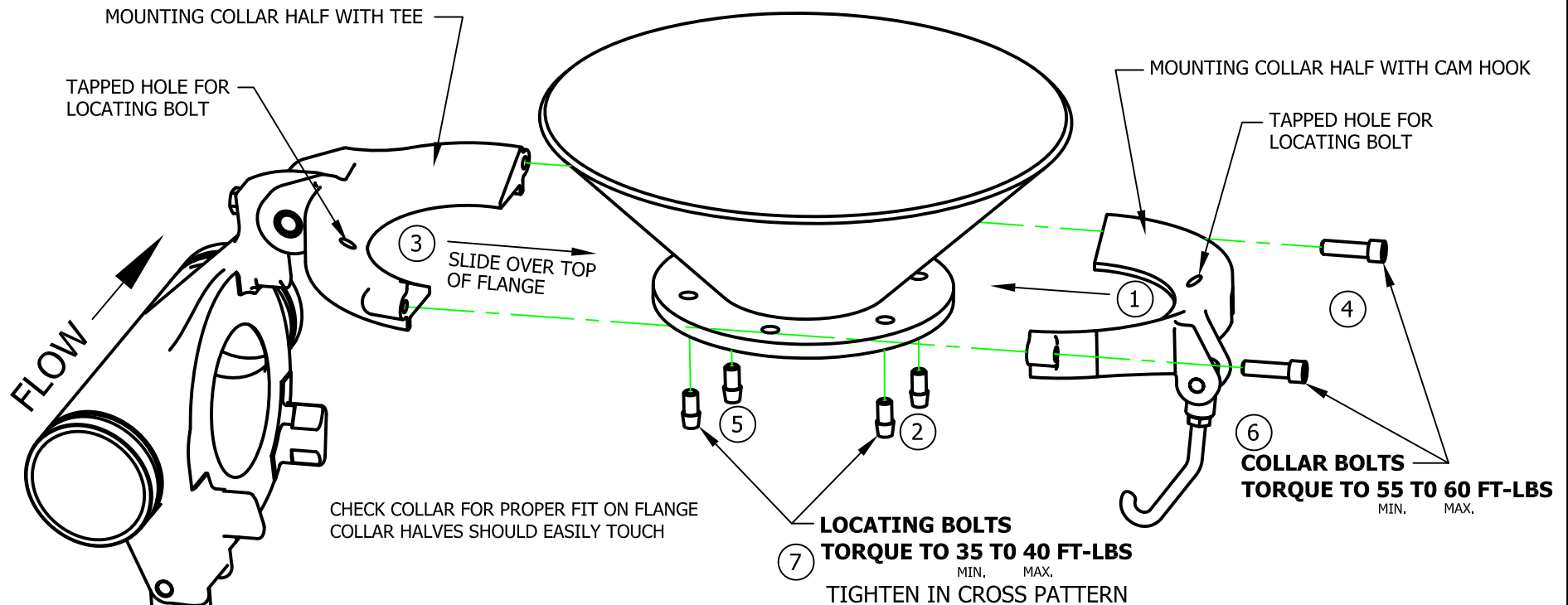
5" - 6" EASY OPEN TEE INSTALLATION

TOOLS REQUIRED FOR INSTALLATION:

- * 3/8" ALLEN WRENCH
- * 2- 3/4" WRENCHES

FOR PROPER OPERATION AND SEALING YOU MUST FOLLOW THESE GUIDE LINES:

- * **INSPECT HOPPER FLANGE FOR WARPAGE AND EXCESSIVE WELD**
 - 1. WARPED FLANGES MUST BE STRAIGHTENED OR REPLACED**
 - 2. EXCESSIVE WELD MAY NEED GROUND AWAY FOR MTG. COLLAR CLEARANCE**
- * CHECK FLANGE THICKNESS (EASY OPEN IS PRE-ADJUSTED FOR 3/8" THICK FLANGE)
- * **CHECK BUTTERFLY VALVE TO BE USED (ONLY USE RAISED O-RING TYPE VALVE SEAT) (SQUARE SHOULDER TYPE VALVE SEAT IS NOT RECOMMENDED)**
- ****SPECIAL ORDER THE EASY OPEN TEE FOR KEYSTONE TYPE THICK BODIED VALVES**



STEP 1
SLIDE MOUNTING COLLAR HALF W/HOOK OVER FLANGE

STEP 2
HAND TIGHTEN 2 LOCATING BOLTS

STEP 3
SLIDE MOUNTING COLLAR HALF W/TEE OVER FLANGE

STEP 4
INSTALL COLLAR BOLTS AND HAND TIGHTEN

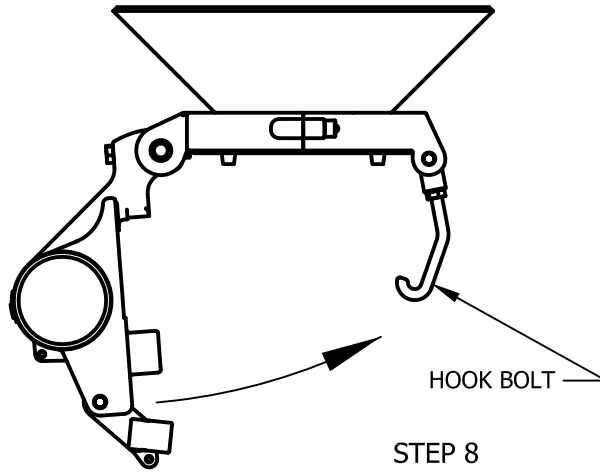
STEP 5
HAND TIGHTEN 2 LOCATING BOLTS

STEP 6
TORQUE COLLAR BOLTS TO 55-60 FT-LBS.

* **MAKE SURE NOT TO FORCE COLLAR HALVES TOGETHER**

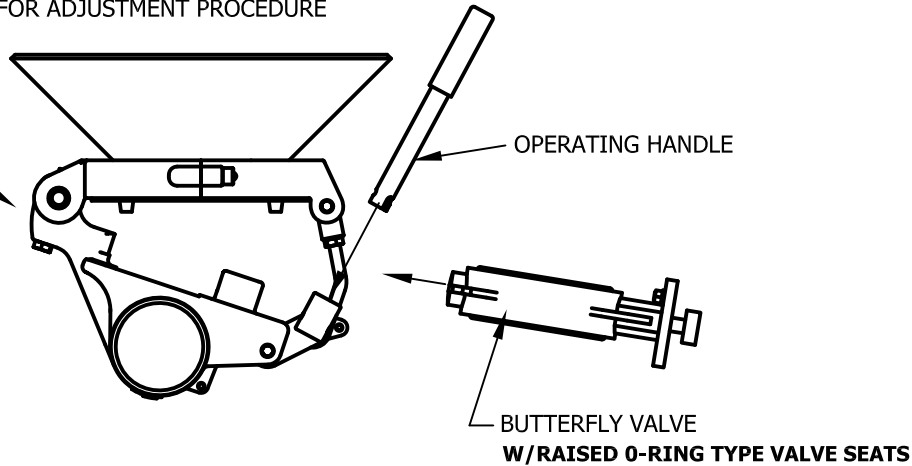
STEP 7
TORQUE LOCATING BOLTS TO 35-40 FT-LBS IN CROSS PATTERN

5" - 6" EASY OPEN TEE INSTALLATION



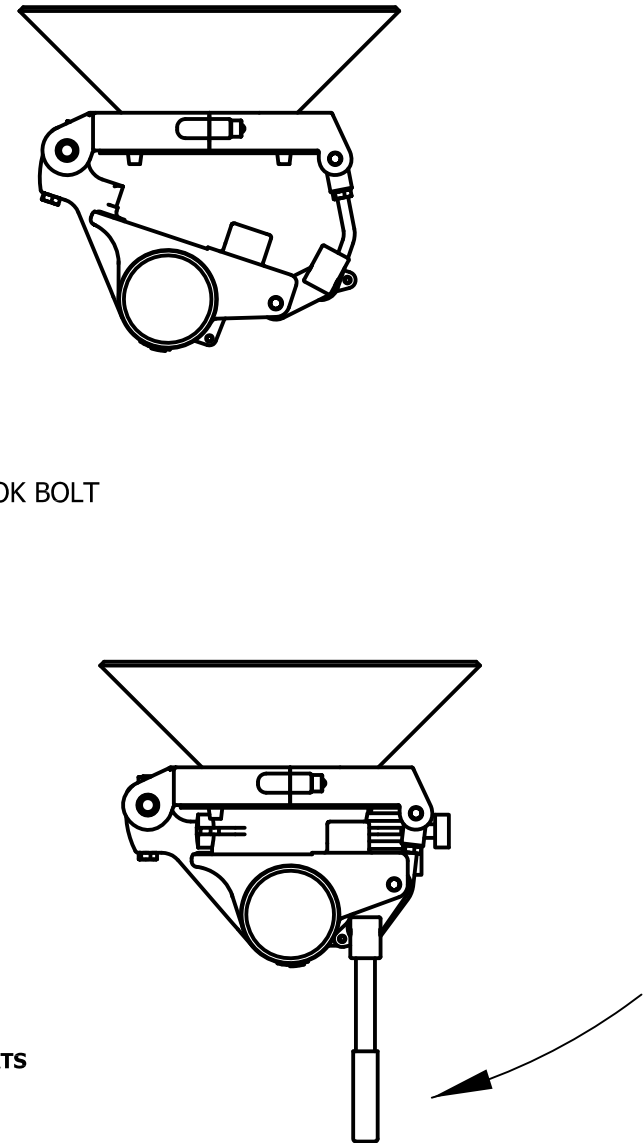
STEP 8
SWING TEE UP THEN ENGAGE HOOK BOLT
INTO THE CAM

NOTE:
IF FLANGE THICKNESS IS NOT 3/8" THICK
ADJUSTMENT WILL BE REQUIRED BEFORE
VALVE CAN BE CAMMED INTO PLACE
SEE SHEET 3 FOR ADJUSTMENT PROCEDURE



STEP 9
PLACE BUTTERFLY VALVE INTO PLACE

STEP 10
INSERT OPERATING HANDLE INTO CAM
THEN ROTATE TO LOCK IN PLACE



STEP 11
ROTATE HANDLE DOWN CAMMING INTO PLACE
THEN REMOVE OPERATING HANDLE