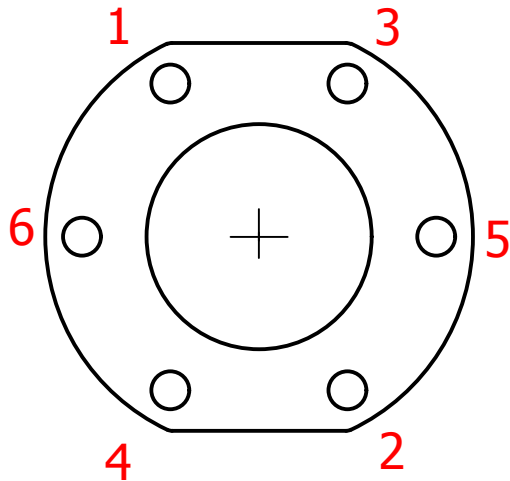
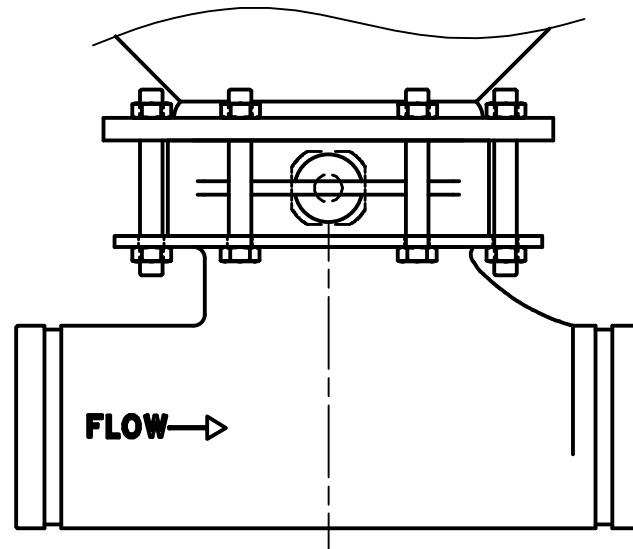


SAND HOG HOPPER TEE INSTALLATION INSTRUCTION

START ALL BOLTS 3 THREADS MAX
HAND TIGHTEN ALL BOLTS
TORQUE TO 50 FT-LBS



TIGHTEN IN A
STAR PATTERN



DO NOT USE IMPACT WRENCH
DO NOT WELD ON TEE