

 100% Made in U.S.A.

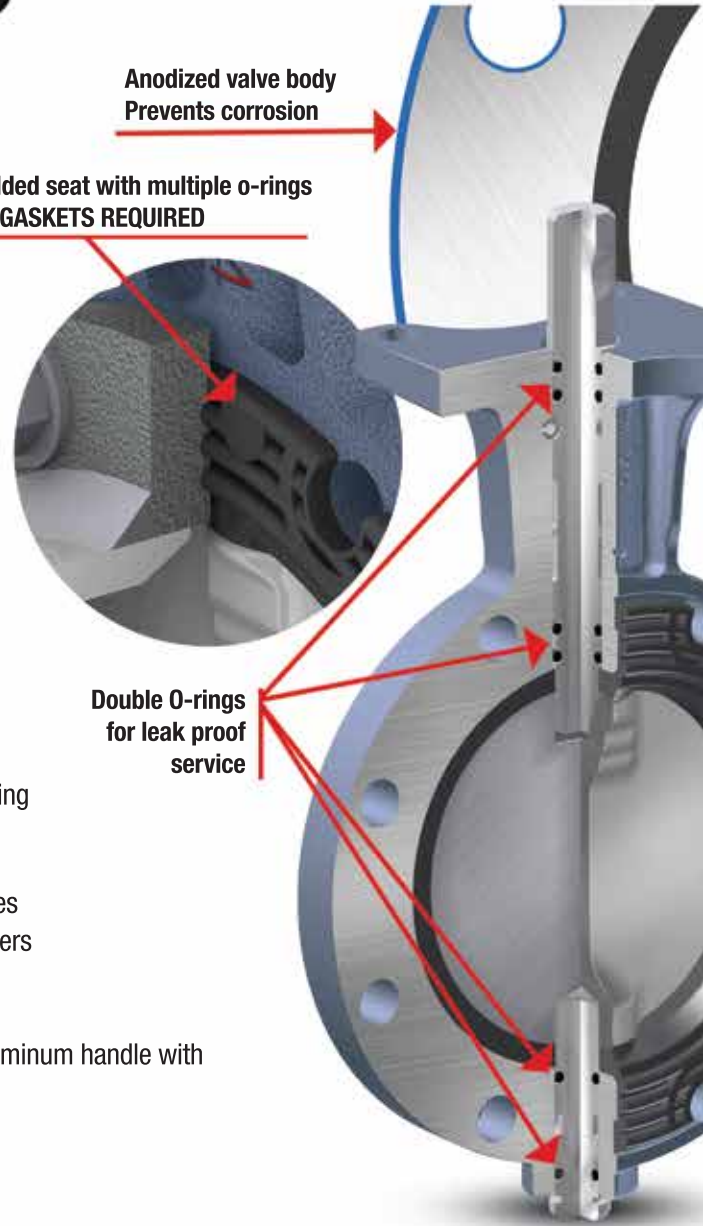
 **Pv** series  
VALVES FOR THE PETROLEUM INDUSTRY

**Strong, lightweight and priced to compete with imports.**



Standard Anodized Aluminum Pv Series

Compact Anodized Aluminum Pv Series



Anodized valve body Prevents corrosion

Molded seat with multiple o-rings NO GASKETS REQUIRED

Double O-rings for leak proof service

**BTI's Pv Series Valves for the petroleum industry.**

**Features and Benefits:**

- Molded in seats with multiple o-rings eliminates the need for gaskets or piping configuration changes
- Double o-ring seals on stems ensures a leak proof design
- Seat and molded in gasket is Viton® B for petroleum service. Other seat materials are available.
- Anodized housing increases life by minimizing electrolysis and prevents galling of the shaft and housing reducing the chance for seize up of the shaft. Anodizing increases wear resistance and surface hardness.
- Available in two styles of aluminum body; Standard Pv and Compact Pv series
- 1 1/8" thick valve body for industry standard configuration in petro tank trailers
- A unique direct drive stem/disc configuration that allows maximum flow
- Ductile or stainless steel disc options
- Available with a steel handle and stainless steel throttling plate, BTI's HD aluminum handle with stainless steel trigger tip or detent handle.
- A weight reduction over other valves on the market
- Can be used in multiple petroleum services
- Standard with both TTMA Bolt patterns



All BTI products are guaranteed to:

**LAST LONGER. WORK BETTER.**

**1-800-841-5524 • BulkTankInc.com**



©2016 Bulk Tank Inc. • Patent Pending

 100% Made in U.S.A.

# From frac sand to crude oil. Innovative solutions for the Oil & Gas industry.



Standard Aluminum  
Pv Series



Compact  
Aluminum  
Pv Series

 **Pv**series  
VALVES FOR THE PETROLEUM INDUSTRY

## BTI's Pv Series Valves for the petroleum industry.

Strong, lightweight and priced to compete with imports. Molded in seats with multiple o-rings eliminates the need for gaskets or piping configuration changes.

**SAND  
HOG**



**SandHog Duralron and BlackMaxx Hopper Tees.** Extreme abrasion resistance perfect for frac sand. Unique design insulates hopper wall during discharge.

**SAND  
HOG**



**SandHog Duralron and BlackMaxx Elbows.** Extreme abrasion resistance perfect for frac sand. Unique design insulates elbow during discharge. Makes side discharge possible.





**All-in-One Aluminum and Composite Fiber BlackMaxx Couplers.** Our All-in-One Coupler can take the place of three types of couplers, Grooved to Grooved, Grooved to Plain, and Plain to Plain. The BlackMaxx version is constructed of a composite fiber material that is lightweight, strong and impervious to corrosion.



All BTI products are guaranteed to:

**LAST LONGER. WORK BETTER.**

**1-800-841-5524 • BulkTankInc.com**



©2014 Bulk Tank Inc. • Patents Pending